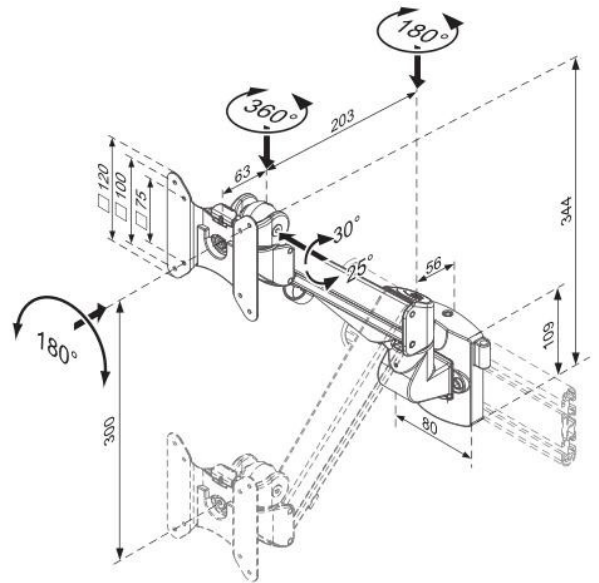


# Ascend Gas Arm



## Product Specification

|                         |   |
|-------------------------|---|
| Product code            | CMS2086 – WHITE                                     |
| *Weight capacity        | From 3 - 8 kg                                       |
| Height adjustment range | 300mm   |
| Max forward extension   | 266mm   |
| VESA                    | 75mm & 100mm VESA compliant                         |
| Movement                | Height adjustment, tilt, swivel, rotation and reach |

\*Capacity may be reduced if monitor size is greater than 26" or depth is greater than 5.5cm

## Additional Information

Gas assisted universal tool rail mounted monitor arm

Integral cable management

Lockable quick release VESA function

180 anti rotation feature

Over 90% of the Aluminium Alloy content is recycled



**Ergo**  
01235 773373  
www.ergoldtd.co.uk  
sales@ergoldtd.co.uk